

PRODUCT DATA SHEET

2024-04-16



Article number:

4110650311GS 

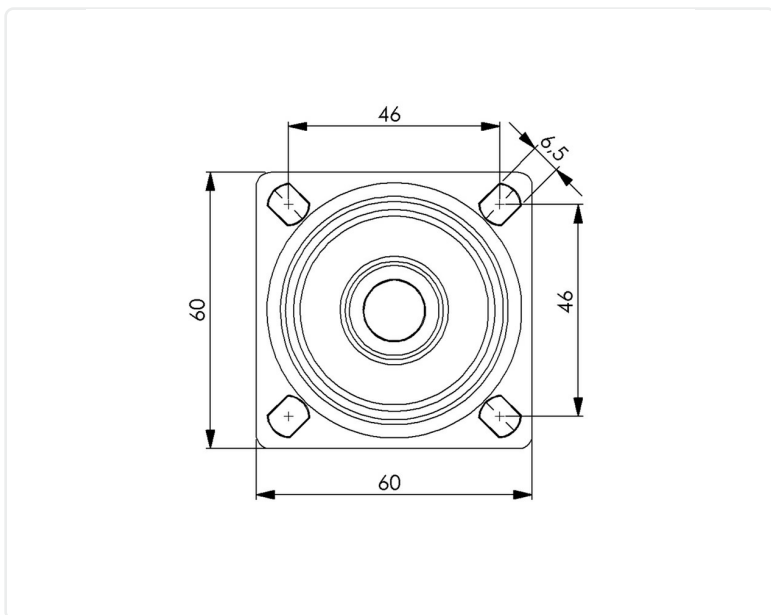
Swivel castor 100 mm, TPE-tyre

Swivel bracket. Made of zinc-chromatized pressed sheet metal with double ball race swivel. Center hole fitting. Riveted wheel axle. Wheel with grey TPE-tyre. Hub made of black PP. Plain bearing.



Image may differ from the actual product.*

DIMENSIONS



SPECIFICATIONS

Diameter	100 mm
Total height	121 mm
Load Capacity (dynamic)	55 kg
Castor model	Swivel
Fitting	Top plate
Material Tread	TPE
Bearing	Plain bearing
Plate Size	60x60 mm
CC Distance	46x46 mm
Thread hardness (Shore°)	85° Shore A
Width of tread	24 mm
Material Hub	Polypropylen (pp)
Color Tread	Grey
Teststandard	EN 12530
Offset	37 mm
Material Thickness Bracket	2 mm
Materialthicknessplate	2 mm
Swivel radius	85 mm

Numeric values in the technical specification can be nominal/rounded to the nearest standard dimension. To see exact values, please use the drawing.