

PRODUCT DATA SHEET

2024-04-17



Article number:

4003620701S

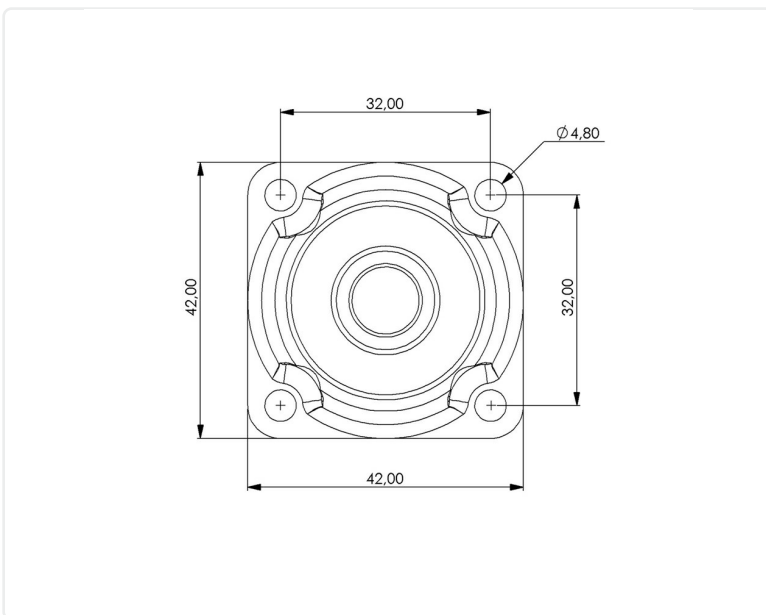
Swivel castor 30 mm, PP-wheel

Swivel bracket. Made of zinc-chromatized pressed sheet metal with double ball race swivel. Center hole fitting. Riveted wheel axle. Wheel made of black PP. Plain bearing.



Image may differ from the actual product.*

DIMENSIONS



SPECIFICATIONS

| | |
|----------------------------|--------------------|
| Diameter | 30 mm |
| Total height | 45.5 mm |
| Load Capacity (dynamic) | 30 kg |
| Castor model | Swivel |
| Fitting | Top plate |
| Material Tread | Polypropylene (PP) |
| Bearing | Rivet |
| Plate Size | 42x42 mm |
| CC Distance | 32x32 mm |
| Thread hardness (Shore°) | 75° Shore D |
| Width of tread | 16 mm |
| Material Hub | Polypropylen (pp) |
| Top Hole | 48 mm |
| Wheel Pattern | EN 12530 |
| Color Tread | Black |
| Teststandard | EN 12530 |
| Offset | 19.5 mm |
| Material Thickness Bracket | 1.5 mm |
| Materialthicknessplate | 1.5 mm |
| Swivel radius | 36 mm |
| Temperature Range | -20°C to +50°C |

Numeric values in the technical specification can be nominal/rounded to the nearest standard dimension. To see exact values, please use the drawing.