

# PRODUCT DATA SHEET

2024-04-17



Article number:

## 8012670332GGG

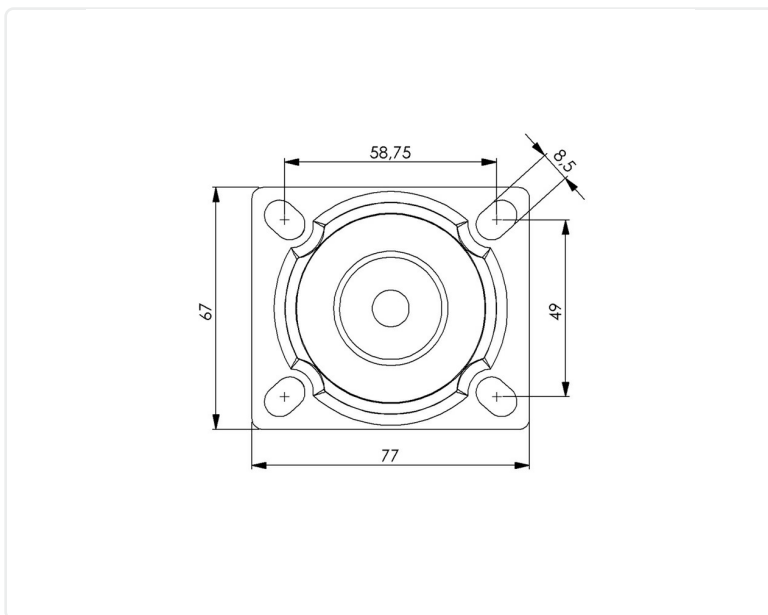
Swivel castor 125 mm, TPE-tyre

Swivel bracket. Injection moulded plastic bracket in grey PA6-GF35 with ball bearings in the swivel head. Top plate fitting. Wheel axle with nut. Wheel with grey TPE-tyre. Hub made of grey PP with threadguards. Ball bearing.



Image may differ from the actual product.\*

## DIMENSIONS



## SPECIFICATIONS

Diameter	125 mm
Total height	167 mm
Load Capacity (dynamic)	100 kg
Castor model	Swivel
Fitting	Top plate
Material Tread	TPE
Bearing	Ball bearing
Plate Size	77x67 mm
CC Distance	59x49 mm
Thread hardness (Shore°)	85° Shore A
Width of tread	32 mm
Material Hub	Polypropylen (pp)
Top Hole	12x8,5 mm
Color Tread	Gray RAL 7012
Teststandard	EN 12530
Offset	44 mm
Ball bearing	6202-ZZ
Materialthickplate	2.5 mm
Swivel radius	107 mm
Product Weight	0.57 kg
Temperature Range	-20°C to +50°C

*Numeric values in the technical specification can be nominal/rounded to the nearest standard dimension. To see exact values, please use the drawing.*