

PRODUCT DATA SHEET

2024-04-17



Article number:

5E16685432PZ-ALU

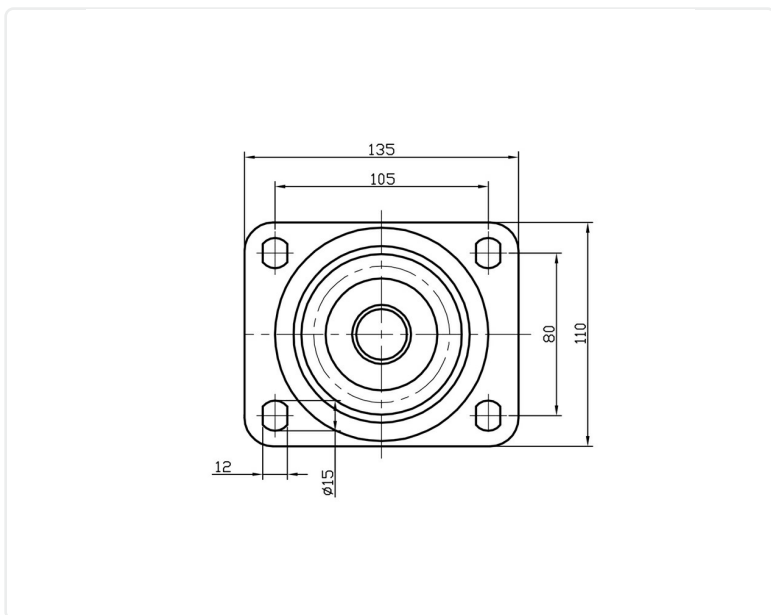
Braked castor 160 mm, total stop brake, elastic PU-tyre

Swivel bracket with total stop brake. Made of zinc-chromatized pressed sheet metal with double ball race swivel. Top plate fitting. Wheel axle with nut. Wheel with green elastic PU-tyre. Hub made of aluminum. Double Ball bearing.



Image may differ from the actual product.*

DIMENSIONS



SPECIFICATIONS

Diameter	160 mm
Total height	199 mm
Load Capacity (dynamic)	550 kg
Castor model	Brake
Fitting	Top plate
Material Tread	Elastic Polyurethan
Bearing	Double Ball bearing
Plate Size	140x110 mm
CC Distance	105x80 mm
Thread hardness (Shore°)	83° Shore A
Brake	Total brake
Width of tread	50 mm
Material Hub	Aluminium
Top Hole	13 mm
Dyn. Load Capacity (4km/)	550 kg
Color Tread	Green
Material Type	RoHS (EU) - Approved
Offset	55 mm
Material Thickness Bracket	4 mm
Material thickness plate	6 mm
Swivel radius	149 mm
Product Weight	3.65 kg
Temperature Range	-20°C to +70°C

Numeric values in the technical specification can be nominal/rounded to the nearest standard dimension. To see exact values, please use the drawing.