

# PRODUCT DATA SHEET

2024-04-17



Article number:

## 5A16680932PZ-ALU

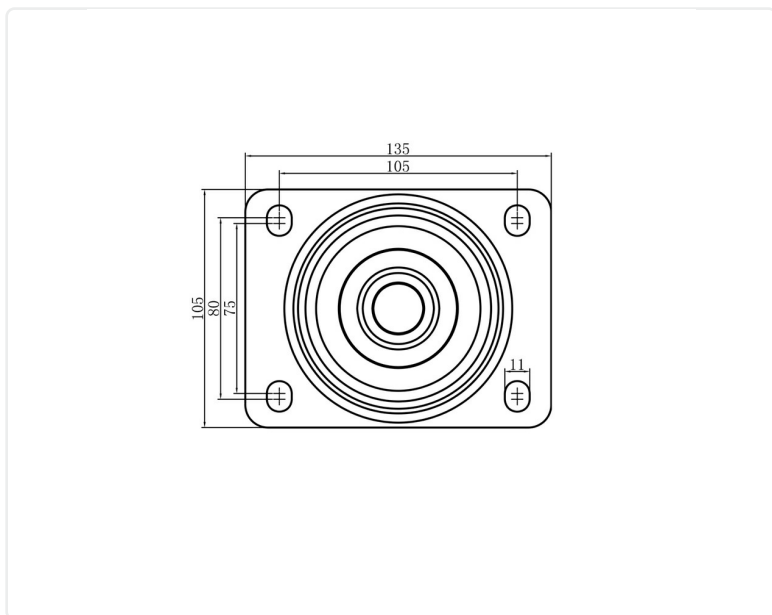
Swivel castor 160 mm, elastic PU-tyre

Swivel bracket. Made of zinc-chromatized pressed sheet metal with double ball race swivel. Top plate fitting. Wheel axle with nut. Wheel with green elastic PU-tyre. Hub made of aluminium. Double Ball bearing.



Image may differ from the actual product.\*

### DIMENSIONS



### SPECIFICATIONS

Diameter	160 mm
Total height	200 mm
Load Capacity (dynamic)	350 kg
Castor model	Swivel
Fitting	Top plate
Material Tread	Elastic Polyurethan
Bearing	Double Ball bearing
Plate Size	140x110 mm
CC Distance	105x80 mm
Thread hardness (Shore°)	83° Shore A
Width of tread	50 mm
Material Hub	Aluminium
Top Hole	11 mm
Fork Width	61 mm
Dyn. Load Capacity (4km/)	350 kg
Color Tread	Green
Material Type	RoHS (EU) - Approved
Offset	53 mm
Material Thickness Bracket	3 mm
Material thickness plate	4 mm
Product Weight	2.57 kg
Temperature Range	-20°C to +70°C

Numeric values in the technical specification can be nominal/rounded to the nearest standard dimension. To see exact values, please use the drawing.