

# PRODUCT DATA SHEET

2024-04-18



Article number:

## 5210665432PZB-ALU

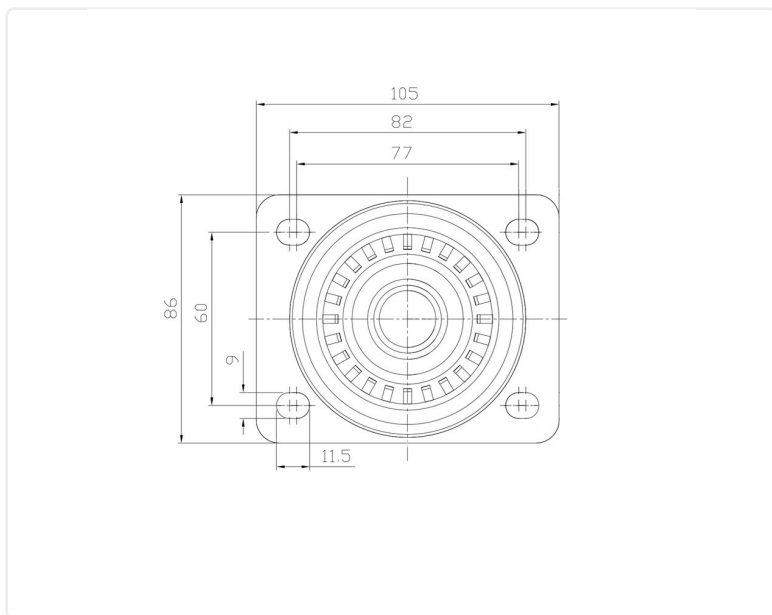
Braked castor 100 mm, total stop brake, elastic convex PU-tyre

Swivel bracket with total stop brake. Made of zinc-chromatized pressed sheet metal with double ball race swivel. Top plate fitting. Wheel axle with nut. Wheel with green elastic convex PU-tyre. Hub made of aluminum. Double Ball bearing.



Image may differ from the actual product.\*

## DIMENSIONS



## SPECIFICATIONS

Diameter	100 mm
Total height	130 mm
Load Capacity (dynamic)	200 kg
Castor model	Brake
Fitting	Top plate
Material Tread	Elastic Polyurethan
Bearing	Double Ball bearing
Plate Size	105x85 mm
CC Distance	80x60 mm
Thread hardness (Shore°)	83° Shore A
Brake	Total brake
Width of tread	40 mm
Material Hub	Aluminium
Top Hole	9 mm
Dyn. Load Capacity (4km/)	200 kg
Color Tread	Green
Material Type	RoHS (EU) - Approved
Offset	34 mm
Material Thickness Bracket	3,5 mm
Material thickness plate	4 mm
Product Weight	1,47 kg
Temperature Range	-20°C to +70°C

*Numeric values in the technical specification can be nominal/rounded to the nearest standard dimension. To see exact values, please use the drawing.*