

PRODUCT DATA SHEET

2024-04-17



Article number:

5C20680032N-FE

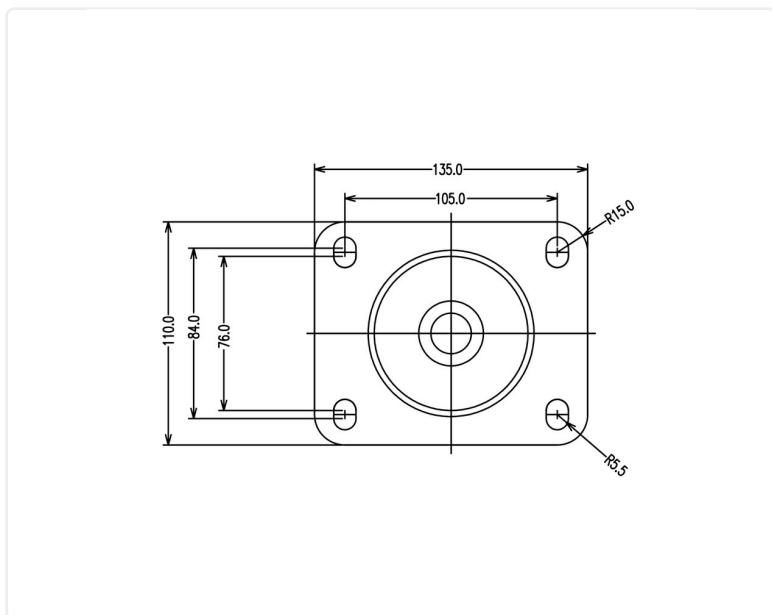
Swivel castor 200 mm, cast iron-wheel

Swivel bracket. Made of zinc-chromatized pressed sheet metal with double ball race swivel. Top plate fitting. Wheel axle with nut. Wheel made of cast iron. Double Ball bearing.



Image may differ from the actual product.*

DIMENSIONS



SPECIFICATIONS

Diameter	200 mm
Total height	239 mm
Load Capacity (dynamic)	400 kg
Castor model	Swivel
Fitting	Top plate
Material Tread	Cast Iron
Bearing	Double Ball bearing
Plate Size	140x110 mm
CC Distance	105x80 mm
Width of tread	45 mm
Material Hub	Cast Iron
Top Hole	11 mm
Dyn. Load Capacity (4km/)	400 kg
Material Type	RoHS (EU) - Approved
Offset	55 mm
Material Thickness Bracket	3.5 mm
Material thickness plate	4 mm
Product Weight	6.52 kg
Temperature Range	-20°C to +70°C

Numeric values in the technical specification can be nominal/rounded to the nearest standard dimension. To see exact values, please use the drawing.