

PRODUCT DATA SHEET

2024-04-18



Article number:

431265

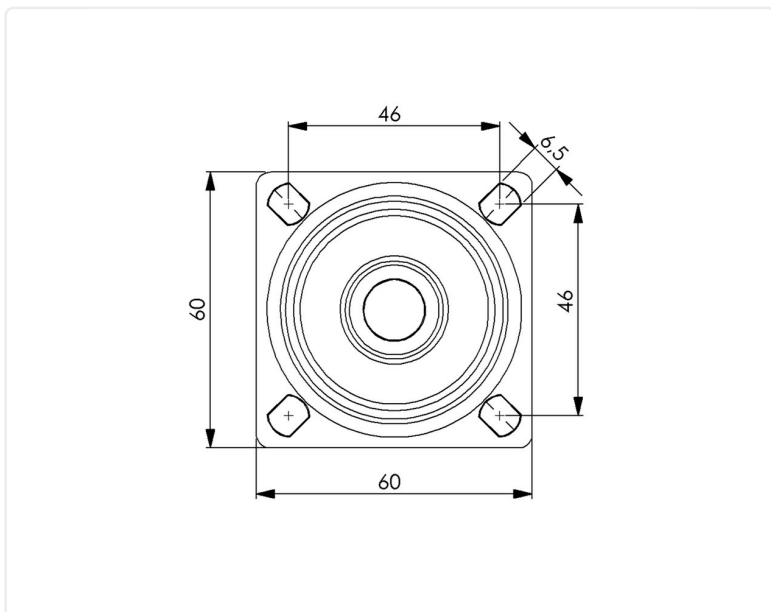
Swivel bracket 125 mm

Swivel bracket. Made of zinc-chromatized pressed sheet metal with double ball race swivel. Top plate fitting.



Image may differ from the actual product.*

DIMENSIONS



SPECIFICATIONS

| | |
|----------------------------|----------------|
| Diameter | 125 mm |
| Total height | 151 mm |
| Load Capacity (dynamic) | 70 kg |
| Castor model | Swivel |
| Fitting | Top plate |
| Plate Size | 60x60 mm |
| CC Distance | 46x46 mm |
| Hub Hole Diameter | 8 mm |
| Castor Housing | Yes |
| Fork Width | 37.5 mm |
| Dyn. Load Capacity (4km/) | 70 kg |
| Offset | 41 mm |
| Material Thickness Bracket | 2.5 mm |
| Materialthickplate | 2 mm |
| Product Weight | 0.31 kg |
| Temperature Range | -20°C to +50°C |

Numeric values in the technical specification can be nominal/rounded to the nearest standard dimension. To see exact values, please use the drawing.