

PRODUCT DATA SHEET

2024-04-18



Article number:

5E1268BT

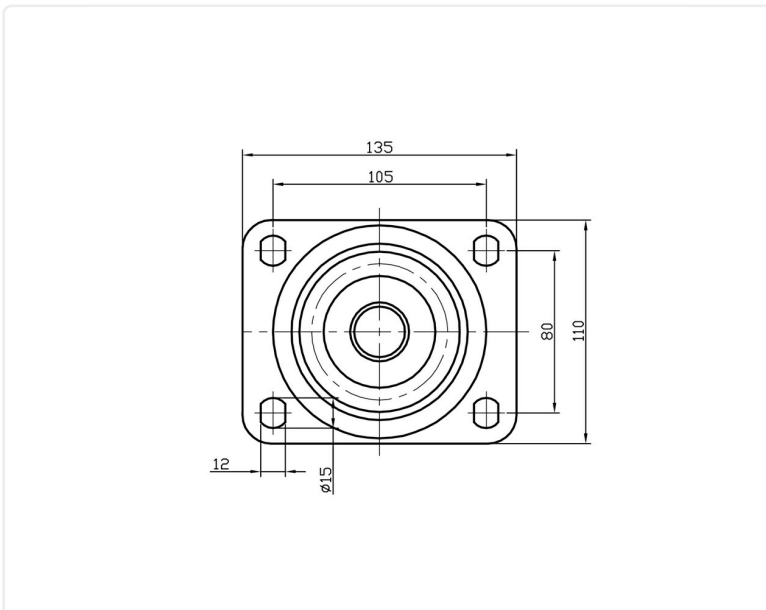
Swivel bracket 125 mm, total stop brake

Swivel bracket with total stop brake. Made of zinc-chromatized pressed sheet metal with double ball race swivel. Top plate fitting.



Image may differ from the actual product.*

DIMENSIONS



SPECIFICATIONS

Length	150 mm
Diameter	125 mm
Total height	164 mm
Load Capacity (dynamic)	800 kg
Castor model	Brake
Fitting	Top plate
Plate Size	140x110 mm
CC Distance	105x80 mm
Brake	Total brake
Hub Hole Diameter	12 mm
Top Hole	13 mm
Castor Housing	Yes
Fork Width	63 mm
Dyn. Load Capacity (4km/)	800 kg
Material Type	RoHS (EU) - Approved
Offset	55 mm
Material Thickness Bracket	4 mm
Material thickness plate	6 mm
Product Weight	2,12 kg
Temperature Range	-20°C to +70°C

Numeric values in the technical specification can be nominal/rounded to the nearest standard dimension. To see exact values, please use the drawing.