

# PRODUCT DATA SHEET

2024-04-18



Article number:

## 5C1268BT

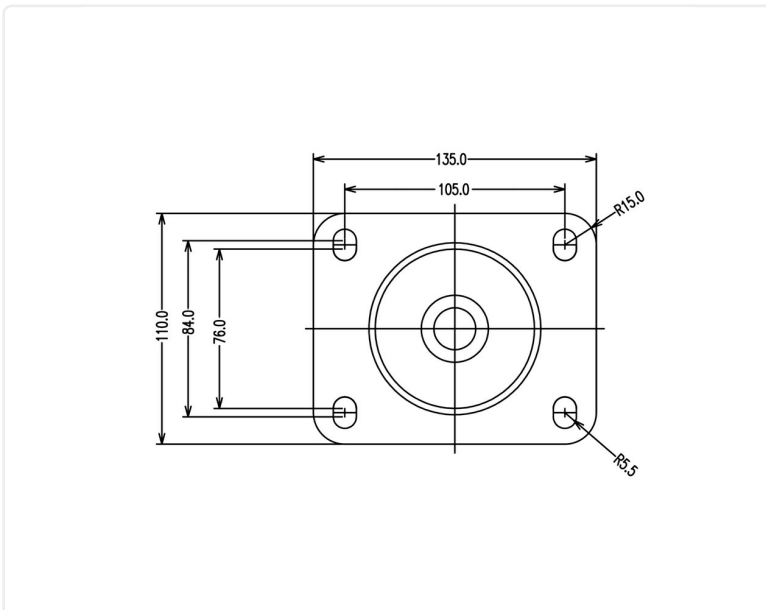
Swivel bracket 125 mm, total stop brake

Swivel bracket with total stop brake. Made of zinc-chromatized pressed sheet metal with double ball race swivel. Top plate fitting.



Image may differ from the actual product.\*

## DIMENSIONS



## SPECIFICATIONS

Diameter	125 mm
Total height	165,5 mm
Load Capacity (dynamic)	400 kg
Castor model	Brake
Fitting	Top plate
Plate Size	140x110 mm
CC Distance	105x80 mm
Brake	Total brake
Hub Hole Diameter	12 mm
Top Hole	11 mm
Castor Housing	Yes
Fork Width	61 mm
Material Type	RoHS (EU) - Approved
Offset	45,5 mm
Material Thickness Bracket	3,5 mm
Material thickness plate	4 mm
Product Weight	1,6 kg
Temperature Range	-20°C to +70°C

*Numeric values in the technical specification can be nominal/rounded to the nearest standard dimension. To see exact values, please use the drawing.*