

PRODUCT DATA SHEET

2024-04-17



Article number:

411000

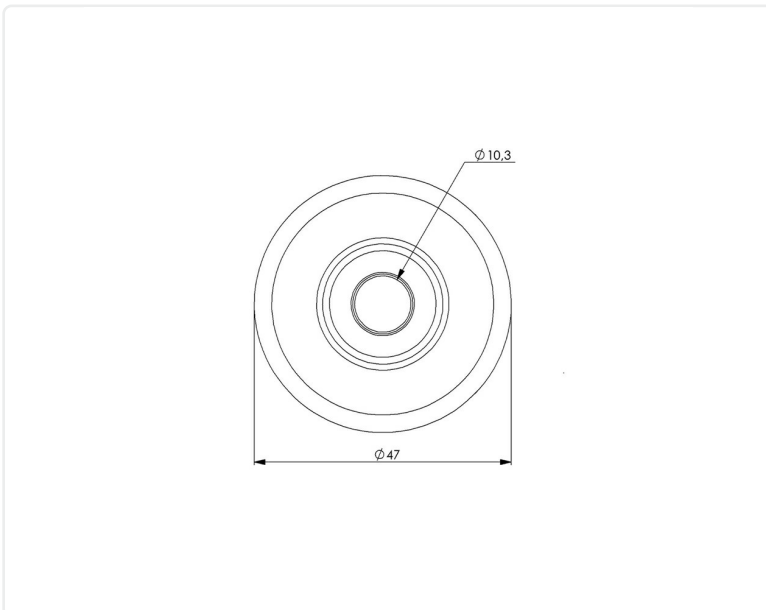
Swivel bracket 100 mm

Swivel bracket. Made of zinc-chromatized pressed sheet metal with double ball race swivel. Center hole fitting.



Image may differ from the actual product.*

DIMENSIONS



SPECIFICATIONS

Diameter	100 mm
Total height	120 mm
Load Capacity (dynamic)	55 kg
Castor model	Swivel
Fitting	Centre hole
Centre Bolt Hole	102 mm
Hub Hole Diameter	8 mm
Castor Housing	Yes
Fork Width	28 mm
Dyn. Load Capacity (4km/)	55 kg
Offset	38 mm
Material Thickness Bracket	2 mm
Product Weight	0,19 kg
Temperature Range	-20°C to +50°C

Numeric values in the technical specification can be nominal/rounded to the nearest standard dimension. To see exact values, please use the drawing.